

# DNX 5.4

Top Opening  
17" Laptop  
Safe

## The Model DNX 5.4

The spacious DNX 5.4 drawer safe is typically installed in a credenza or near the desk to provide guests quick access to secure their valuables. Large enough to accommodate a 17" laptop, the DNX 5.4 drawer safe features a hydraulic arm for easy use and illuminated keypad for easy viewing.

**5 Year**

Manufacturer's  
Warranty

**\$10K**

Warranty Against  
Forced Entry



■ Black    □ White    Custom Options Available



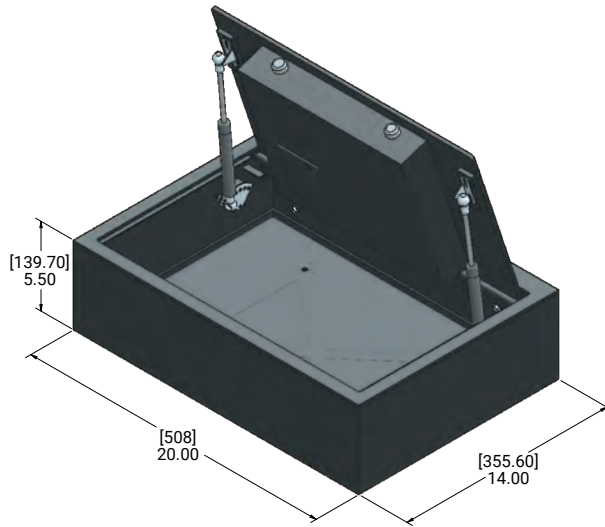
## Dependable Security

- ▣ **Emergency Handheld Override** for added security & thorough audit
- ▣ **Optional MIWA Override** with reprogrammable master-key
- ▣ **Motorized Locking System** provides hassle-free operation
- ▣ **Self Diagnostic System** delivers predictive maintenance
- ▣ **Low Battery Indicator** for proactive replacement

## Ease-of-Use

- ▣ **ADA Compliant Keypad** brings maximum accessibility
- ▣ **Audio Visual Operating Signals** for effortless utility
- ▣ **Accessibility** via personalized 4-digit user code
- ▣ **Hydraulic Arm** for lift assistance
- ▣ **Internal light** guides users to all belongings

# DNX 5.4 Technical Data



<b>Exterior</b>	5.75"H x 20"W x 14"D*	(146.11mm x 508mm x 355.6mm*)
<b>Internal</b>	3.13"H x 19.77"W x 13.76"D	(79.39mm x 502.16mm x 349.6mm)
<b>Door Opening</b>	12.33"H x 18.25"W	(313.07mm x 463.55mm)
<b>Weight</b>	37.90 lbs	(17.19 kg)

\*Depth Includes Keypad

## Override Accessories



### Emergency Handheld Override (EHO)

Safemark's EHO provides added security with password protected access via easy-to-use software. This comprehensive audit trail saves time and money while reducing fraudulent claims.



### Optional MIWA High Security Override System

The patented, high security cylinder with side bar technology can be quickly reprogrammed onsite up to 10,000 times. This industry exclusive technology is installed at our company-owned factory to save time and money while eliminating the risk of duplicate key systems.

## Construction

- Cold-Rolled Steel Door
- 1.5mm (13 Gauge) Steel Body
- Two 3/4" (19mm) Diameter Locking Bolts
- Laser Cut Door with Hidden Hinges
- Scratch Resistant Powder Coat Finish
- Optional Tamper-Proof Hardware
- Optional Security Cable for Furniture Attachment
- Quick Access Battery Panel (Uses 4 AA Alkaline Batteries)

## Warranty

The DNX 5.4 includes a five-year manufacturer's warranty and an exclusive \$10,000 limited warranty against forced entry.

SAFE AUDIT REPORT		
HOTEL OPERATION		
EXAMPLE HOTEL		
Room No. :	Print Time :	
11-05-2019	16:58:32	OPENED BY Bruce Humphrey
11-05-2019	15:37:51	OPENED BY Josh Lane
11-04-2019	22:41:26	OPENED BY Josh Lane
11-01-2019	12:27:03	OPENED BY Edward Rodriguez
10-31-2019	20:16:58	OPENED BY Bruce Humphrey
10-27-2019	09:54:16	OPENED BY John Foley
10-22-2019	17:33:22	OPENED BY Edward Rodriguez
10-16-2019	06:12:49	OPENED BY Edward Rodriguez
10-15-2019	15:16:23	OPENED BY Edward Rodriguez

## 240 Event Audit Trail

Most Comprehensive Event Audit Trail in the Industry

- Time/Date of Each Safe Locking/Opening
- Full Identity (Full Name) of Authorized Staff Members Who Have Opened a Locked Safe
- Time/Date of Countdowns
- Time/Date of Fail-Safe Key Openings
- Time/Date of Battery Replacement



At Safemark, we can't imagine a guest experience without peace-of mind. We secure valuables and provide an elevated guest experience to ensure leisure time is a journey beyond expectation.

(800) 255 8818

(407) 299 0044

safemark.com

S23-101-DNX 5.4